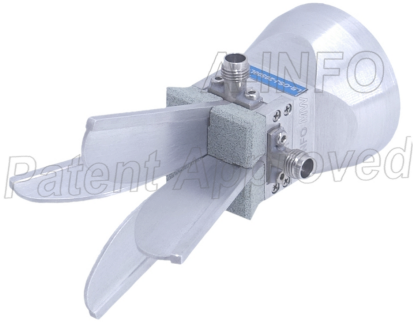


For reference only. See data sheet for the detailed specifications.

## Technical Specification



Frequency Range(GHz)	2.0 – 50.0	
Gain(dBi)	10 Typ.	
Polarization	Dual Linear	
3dB Beamwidth(deg)	E Plane:	90 - 28
	H Plane:	213 - 26
Cross Pol. Isolation(dB)	25 Typ.	
Port to Port Isolation(dB)	40 Typ. ; 30 Min.	
VSWR	2.0:1 Typ.	
Connector	2.4mm-Female or 1.85-Female	
Power Handling(W CW)	2.4mm-Female:	10 Max.
	1.85mm-Female:	5 Max.
Material	Al	
Finish	Chemical Conversion Coating, Gray Paint	
Size(mm)	90 x 52.9 x 52.9	
Net Weight(Kg)	0.12 Around	

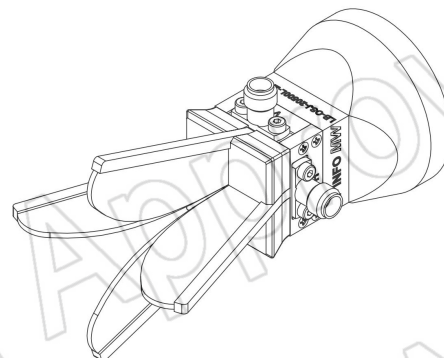
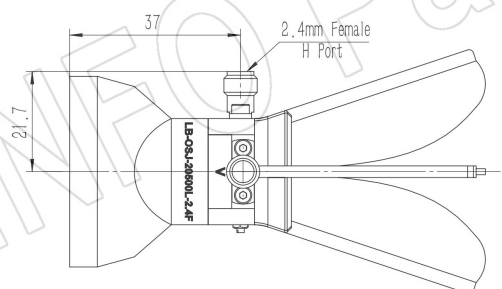
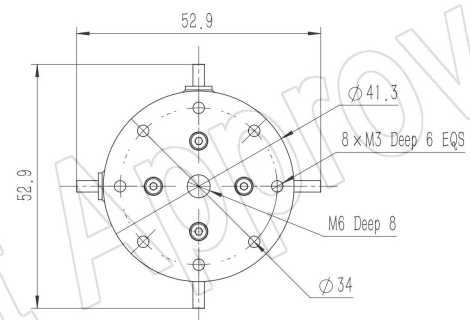
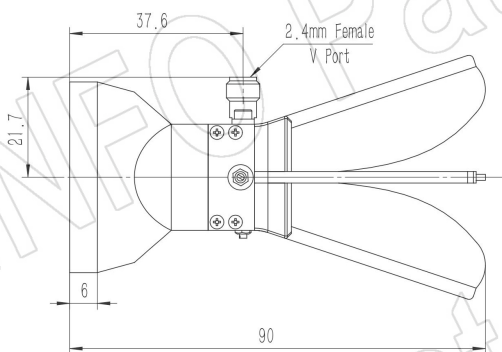
**PATENT ID (China)**

**ZL202220823724.6, ZL202230200007.3**

## Outline Drawing (Size: mm)

**2.4mm-Female Output (P/N: LB-OSJ-20500L-2.4F)**

For 1.85-Female output outline drawing, please contact A-INFO



**AINFO Inc.**

China(Beijing):  
China(Chengdu):  
USA :

Tel: (+86) 10-6266-7326,  
Tel: (+86) 28-8519-2786,  
Tel: (+1) 949-639-9688,

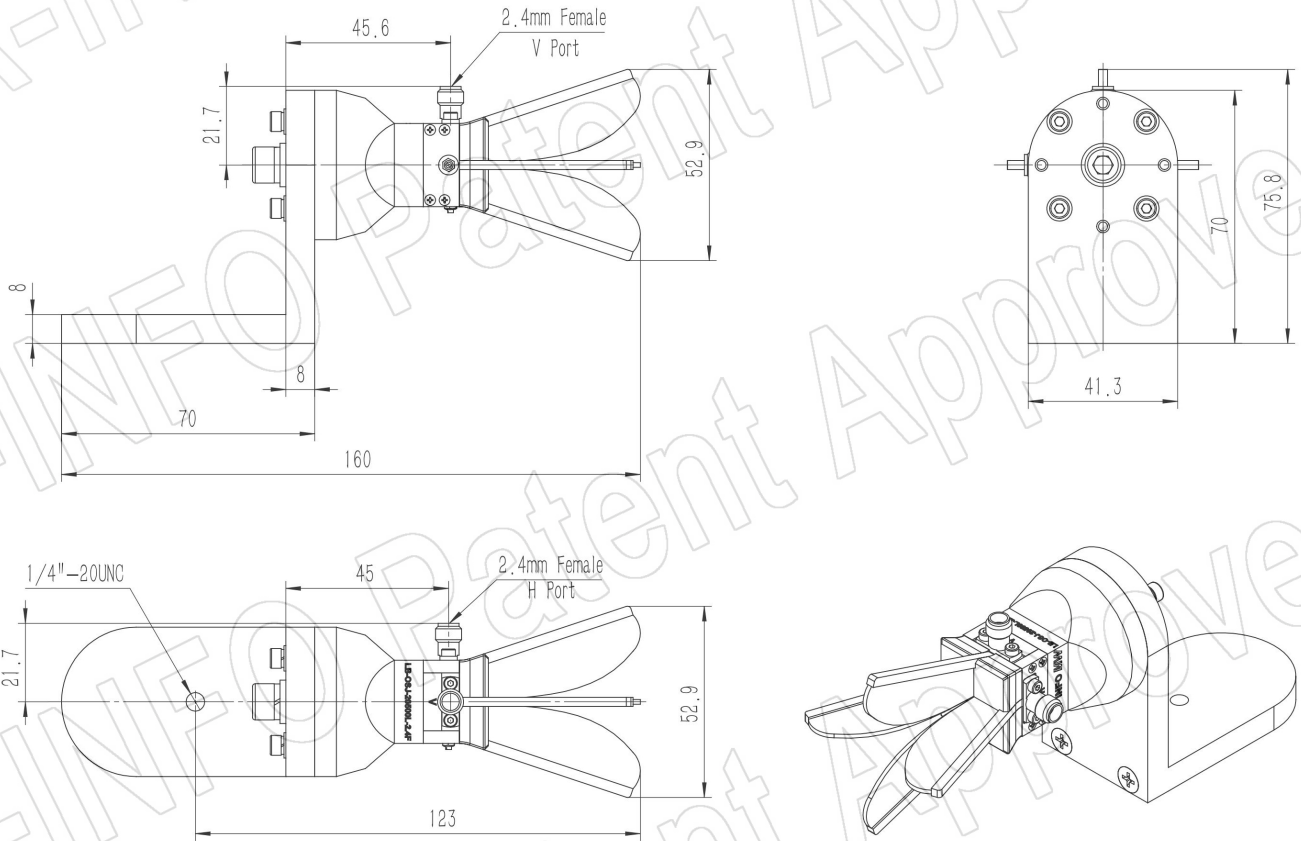
(+86) 10-6266-7327  
(+86) 28-8519-3044  
(+1) 949-639-9608

Fax: (+86) 10-6266-7379  
Fax: (+86) 28-8519-3068  
Fax: (+1) 949-639-9670

Website: [www.ainfoinc.com](http://www.ainfoinc.com)  
Email: [sales@ainfoinc.com](mailto:sales@ainfoinc.com)

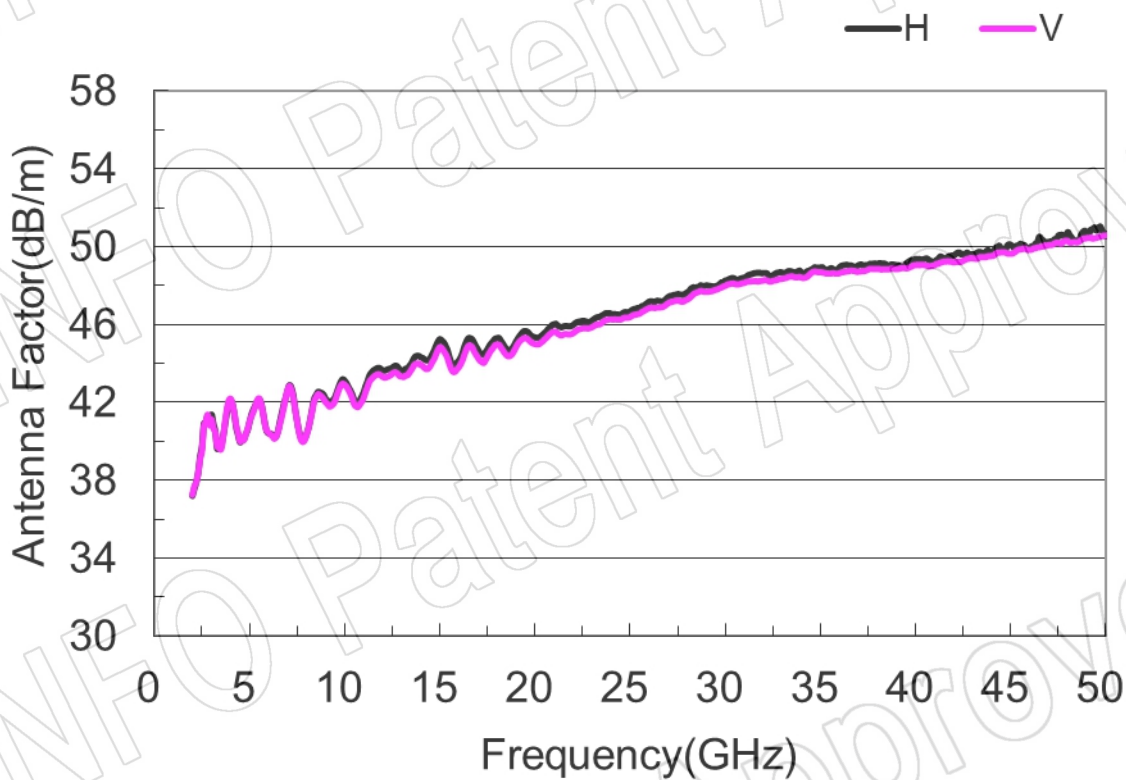
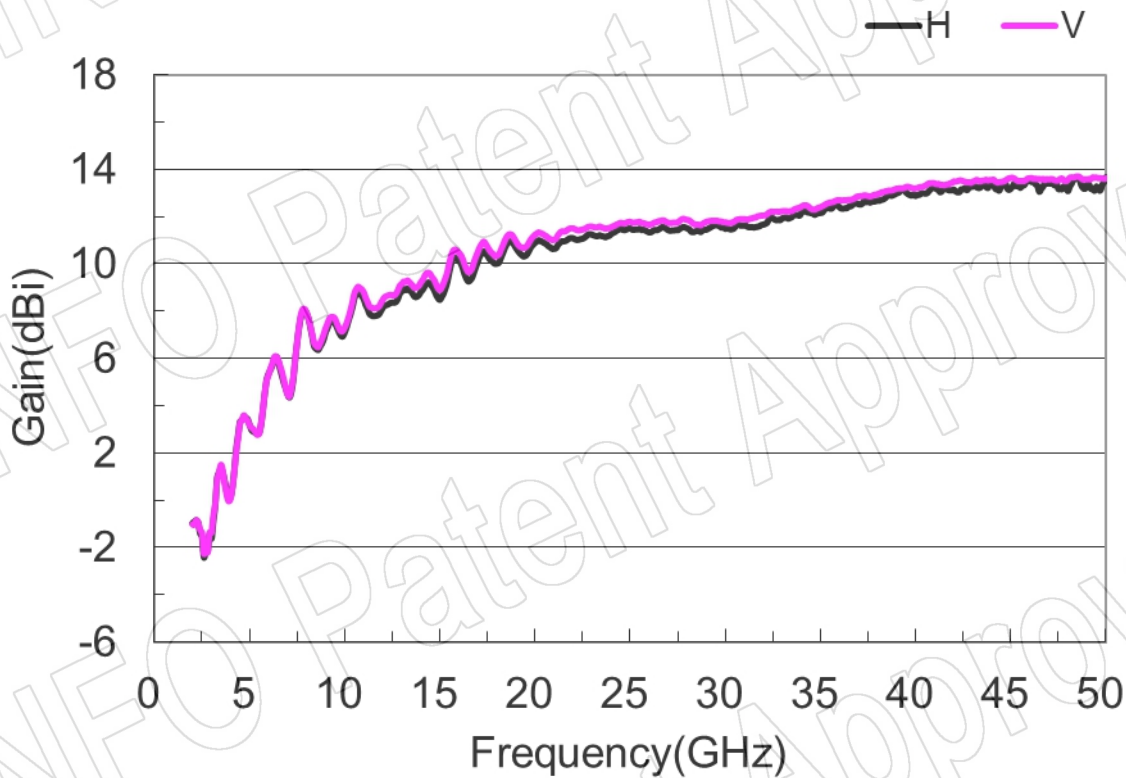
## 2.4mm-Female Output with L Type Mounting Bracket (Option, P/N: LB-20180-L)

For 1.85-Female output outline drawing, please contact A-INFO

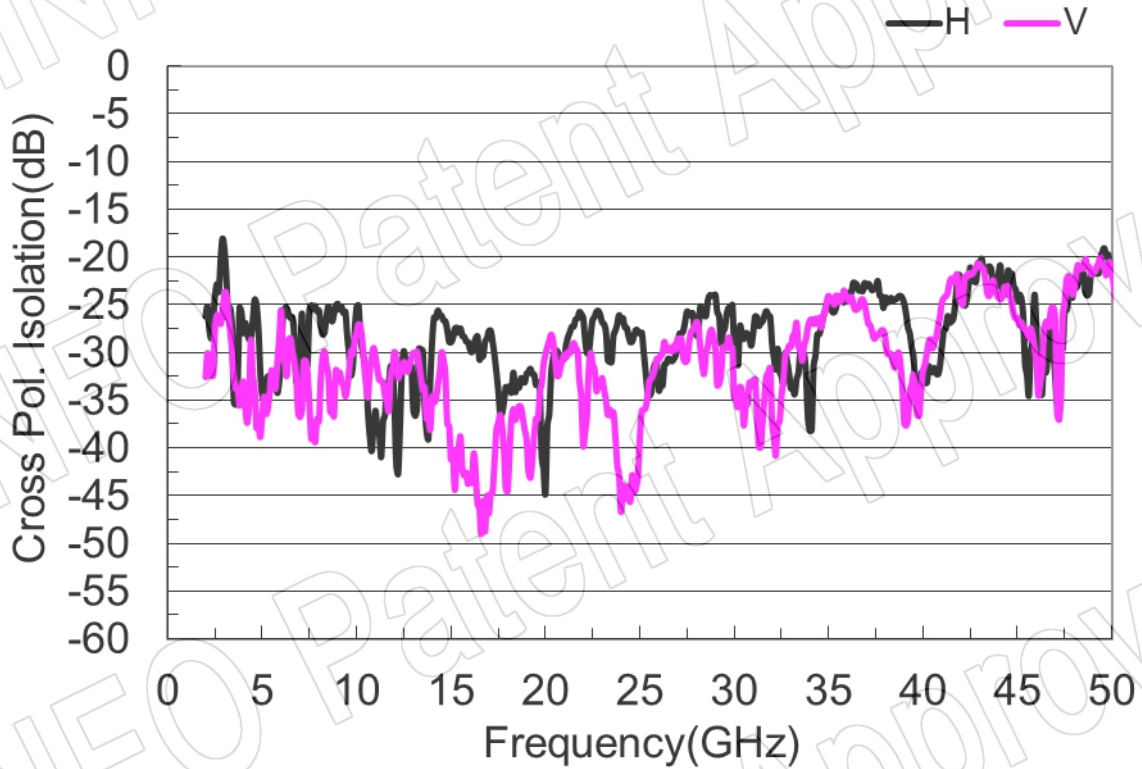


## Test Results

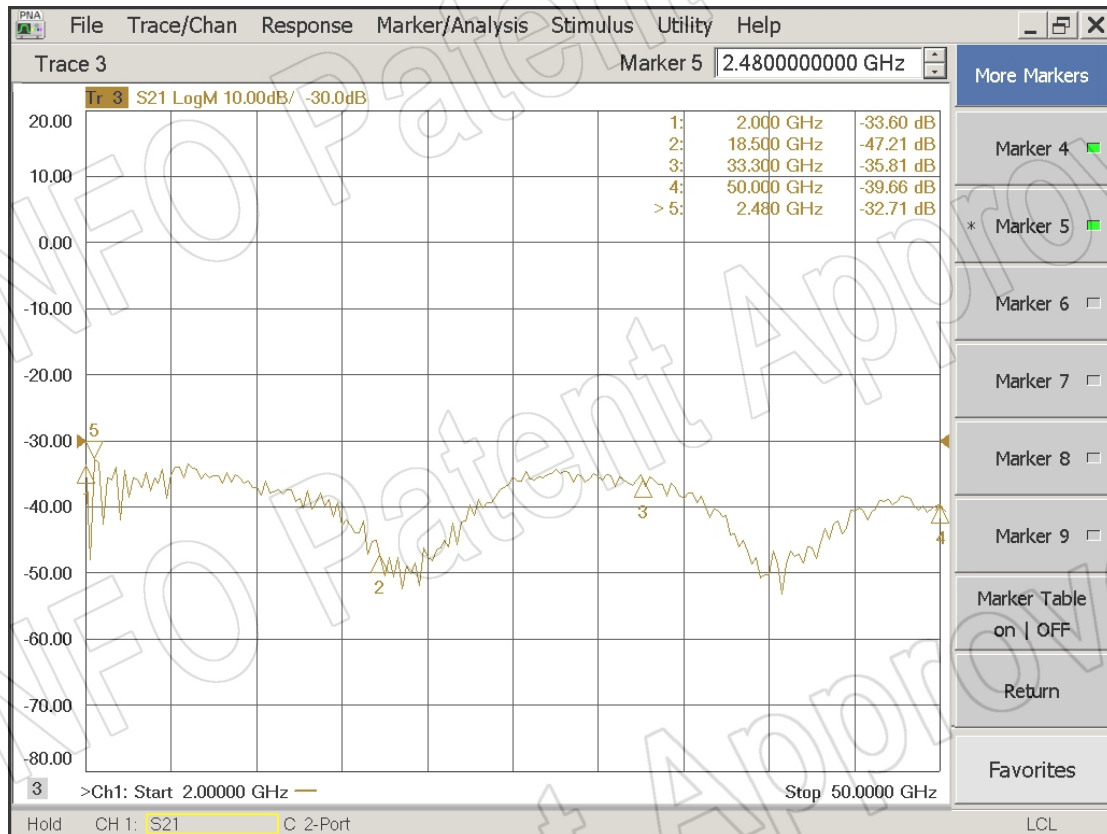
### 1. Gain & Antenna Factor



## 2. Cross Pol. Isolation

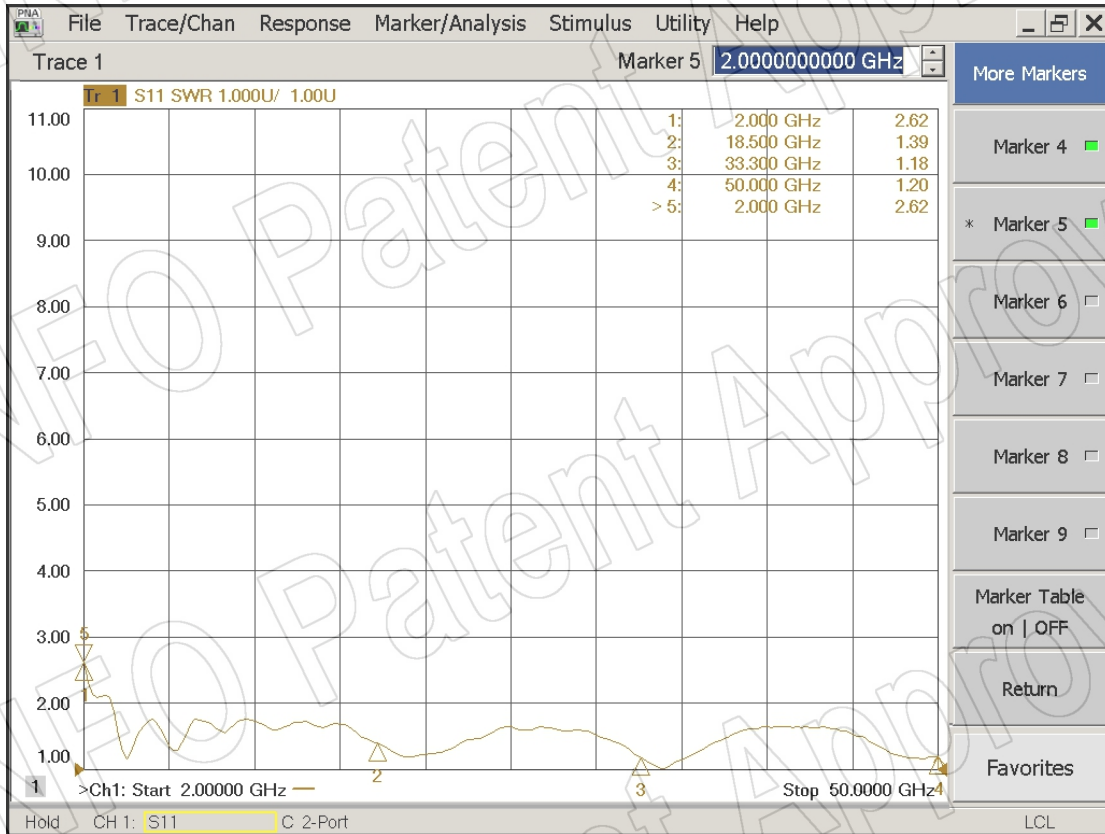


## 3. Port to Port Isolation

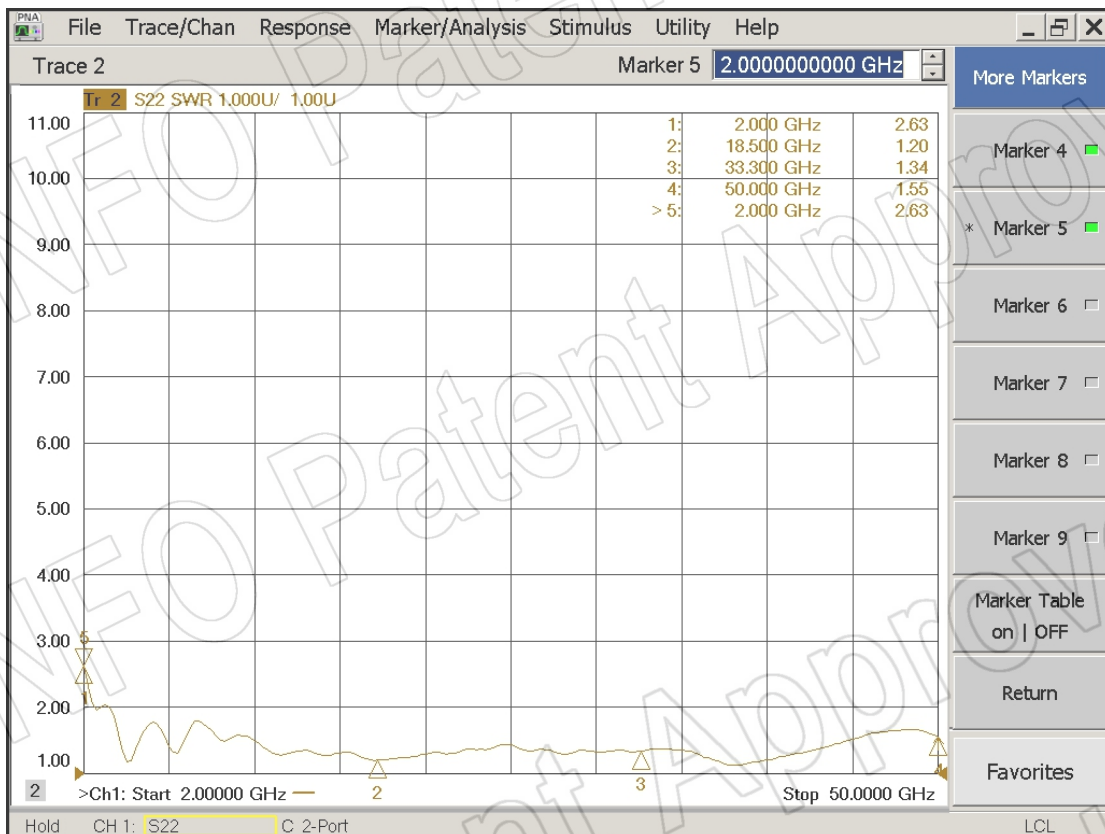


## 4. VSWR

### Port-H



### Port-V



## 5. Pattern

